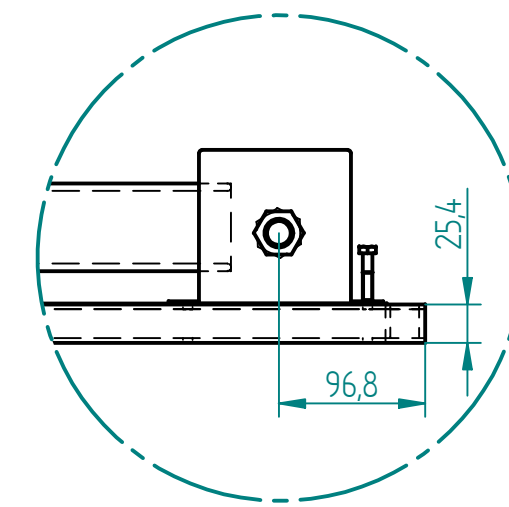
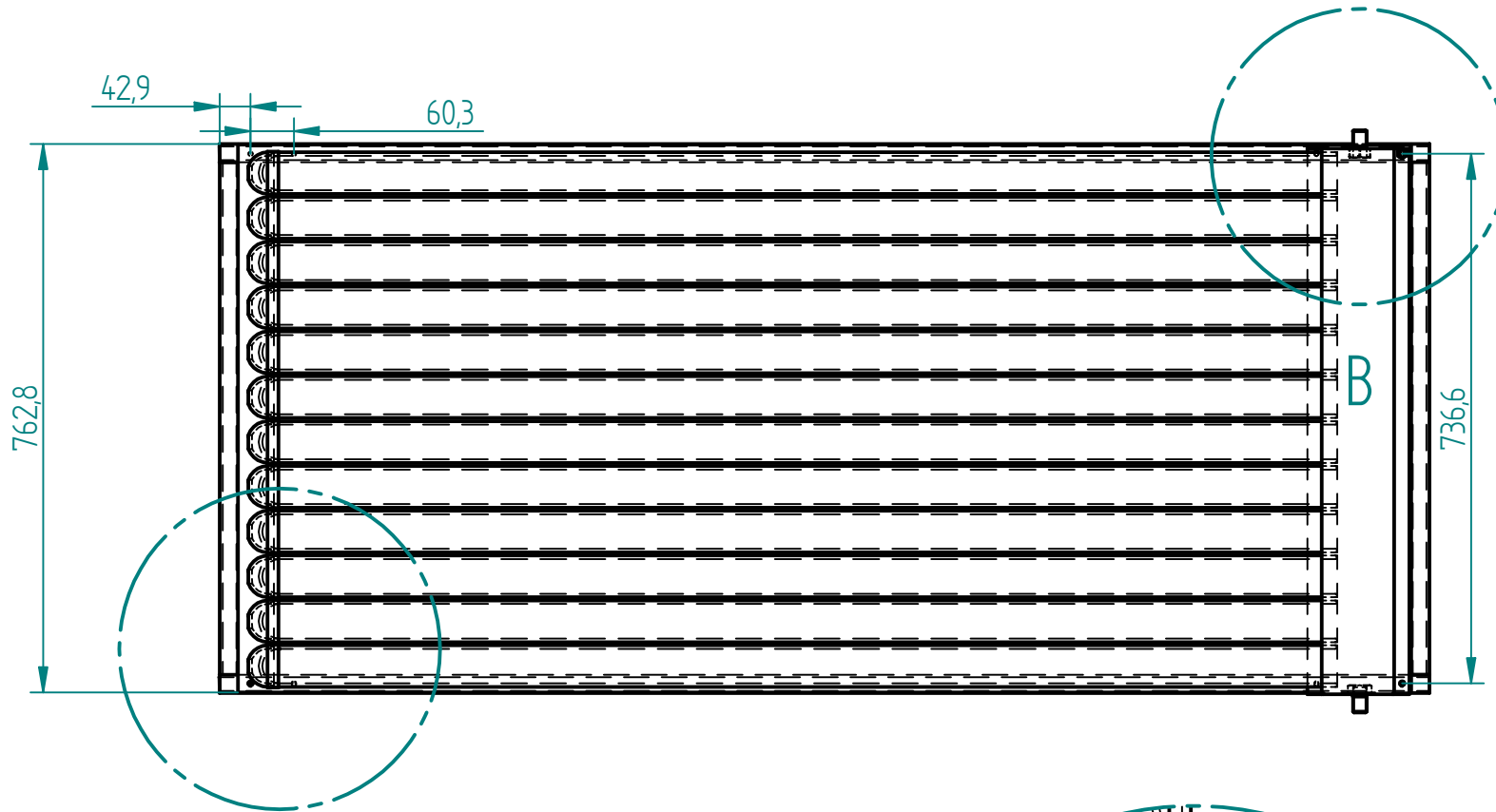
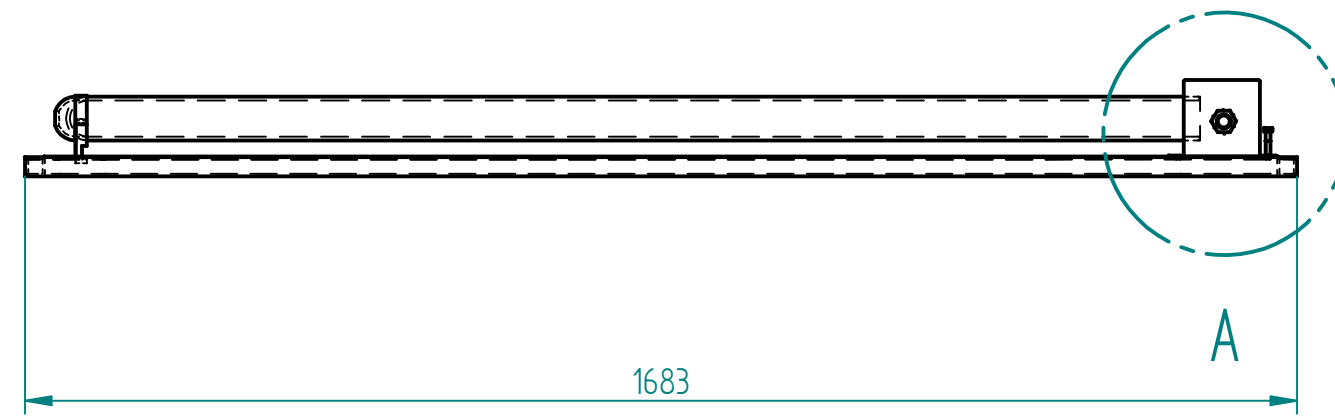
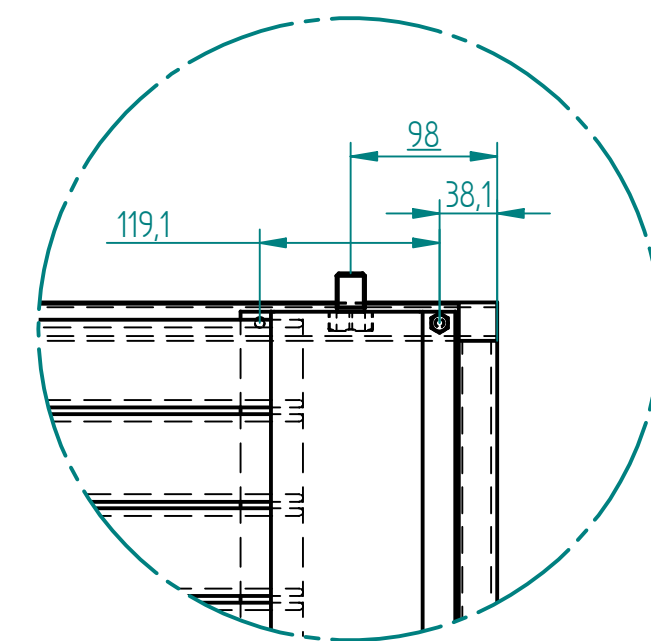


REVISION HISTORY

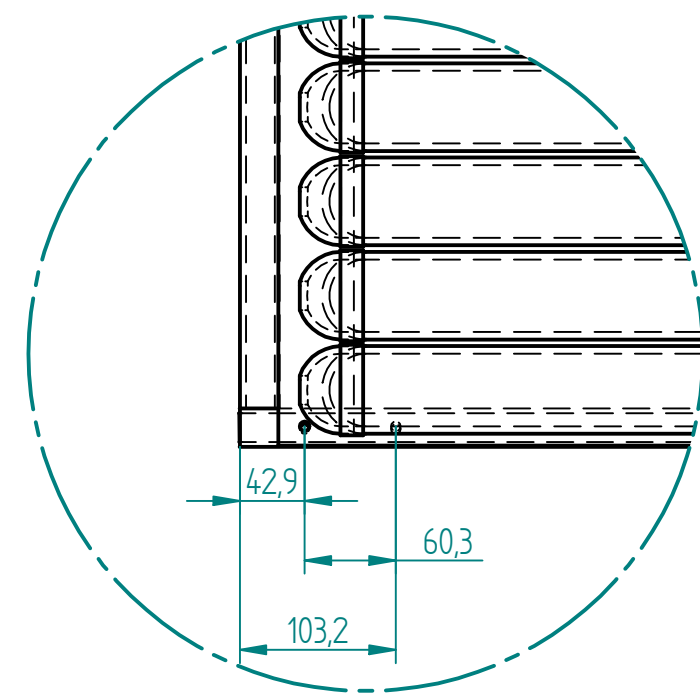
REV	DESCRIPTION	DATE	APPROVED



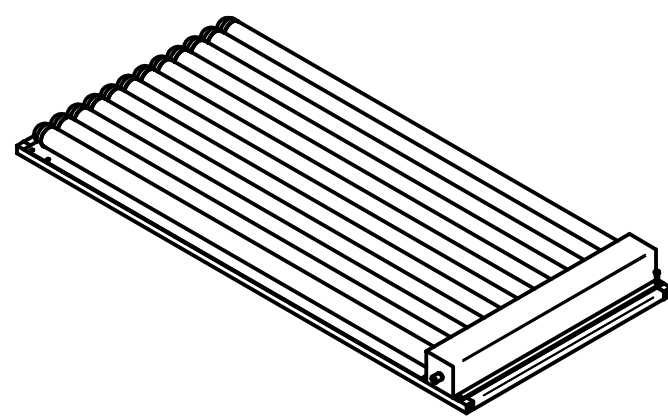
DETAIL A



DETAIL B



DETAIL C



DRAWN		NAME	DATE	SOLID EDGE TITLE U Tube Solar Water Panel, 12 Tube	
CHECKED		wen	08/03/09		
ENG APPR					
MGR APPR					
UNLESS OTHERWISE SPECIFIED DIMENSIONS ARE IN MILLIMETERS ANGLES ±X.X° 2 PL ±X.XX 3 PL ±X.XXX				SIZE A3	DWG NO
				FILE NAME: 12 tube solar panel dimensions.dft	REV
SCALE:		WEIGHT:		SHEET 1 OF 1	